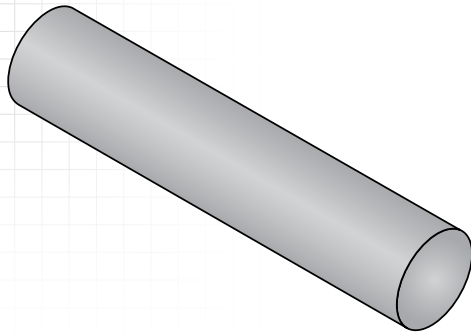


ROUND – IMPERIAL

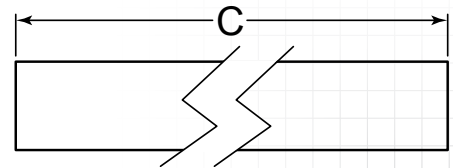
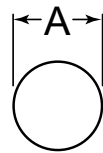
DESCRIPTION

A stock of material that is one foot or greater in length from which machine keys are made. We manufacture key stock to suit every application need you have, in nearly every size, grade, and tolerance imaginable. Available in stocked standard sizes or custom made to your specifications.



HOW TO IDENTIFY

1. Measure diameter (A).
2. Measure length (C).
3. Build the part number from the chart on the next page.



PREFIX MATERIAL/FINISH

RK = COLD FINISHED STEEL, PLAIN*
RKZ = COLD FINISHED STEEL, ZINC CLEAR TRIVALENT
RK45 = COLD FINISHED STEEL, PLAIN* (1045)
RK65 = COLD FINISHED ALLOY STEEL, PLAIN* (4140)

RKA = ALUMINUM, PLAIN
RKB = BRASS, PLAIN
RKS = STAINLESS STEEL, PLAIN
RKS36 = 316 STAINLESS STEEL, PLAIN
 Material/finish combinations may not be available in all sizes.

DIAMETER (A) TOLERANCES

MATERIAL		DIAMETER	
(Prefix)	(Material/Finish)	(Size Range)	(Tolerance)
RK	Cold Finished Steel, Plain*	.0625 – 1.5000"	+0/-.0020"
RKZ	Cold Finish Steel, Zinc Clear Trivalent	>1.5000 – 2.5000"	+0/-.0030"
RK45	Cold Finished Steel, Plain* (1045)	.7500" – >.7500" – 1.0000"	+0/-.0030" +0/-.0020"
RK65	Cold Finished Alloy Steel, Plain* (4140)	.3125" – >.3125" – 1.0000"	+0/-.0050" +0/-.0060"
RKA	Aluminum, Plain	.1250" – >.1250" – .1875" – >.1875" – .4375" – >.4375" – .6250" – >.6250" – .8750" – >.8750" – 1.2500" – >1.2500" – 1.5000" – >1.5000" – 2.0000"	±.0060" ±.0070" ±.0080" ±.0090" ±.0100" ±.0120" ±.0150" ±.0200"
RKB	Brass, Plain	.1250" – .5000" – >.5000" – 1.1250" – >1.1250" – 2.2500"	±.0020" ±.0030" ±.0040"
RKS	Stainless Steel, Plain	.0625" – .3125" – >.3125" – .4375" – >.4375" – .8750" – >.8750" – 1.4375" – >1.4375" – 2.0000"	±.0010" ±.0015" ±.0020" ±.0250" ±.0030"
RKS36	316 Stainless Steel, Plain	.2500" – >.2500" – .3750" – >.3750" – .5000"	±.0010" ±.0015" ±.0020"

LENGTH (C) TOLERANCES

LENGTH	TOLERANCE
12 – 36"	+0/-.125"
>36 – <144"	+0/-.250"
144"	±6"

Nonstandard lengths up to 144" are available. Lengths over 3' may be subject to a packaging charge.

ROUND KEY STOCK
 CAN BE PRODUCED IN
 MANY DIAMETER AND
 LENGTH COMBINATIONS

FOR DETAILED SPECIFICATIONS AND TOLERANCES, VISIT HUYETT.COM.

Prices, materials, dimensions, tolerances, designs, and grades subject to change without notice. © 2022 Huyett

*Limited warranty for surface finish: 30 days from date of shipment. See page 12 for details.

ROUND – IMPERIAL

ZINC PLATING AND
OTHER FINISHES
AVAILABLE FOR
ALL PARTS
SEE PAGE 16

HOW TO BUILD A PART NUMBER

RK-1062-72

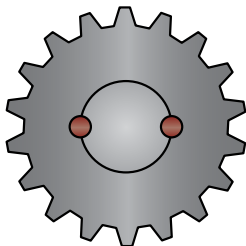
ITEM PREFIX

RK-

TO ORDER CHOOSE
YOUR MATERIAL,

CODE	MATERIAL
RK-	Cold Finished Steel, Plain*
RKZ-	Cold Finished Steel, Zinc Clear Trivalent
RK45-	Cold Finished Steel, Plain* (1045)
RK65-	Cold Finished Alloy Steel, Plain* (4140)
RKA-	Aluminum, Plain
RKB-	Brass, Plain
RKS-	Stainless Steel, Plain
RKS36-	316 Stainless Steel, Plain

DON'T SEE WHAT
YOU'RE LOOKING
FOR? CONTACT
SALES@HUYETT.COM
OR
CALL 785-392-3017



DEPENDING ON YOUR
APPLICATION, ROUND KEY STOCK
MAY BE USED AS SHAFTING AND/
OR CUT-TO-LENGTH MACHINE KEYS

(A)
DIAMETER

1/16" to 2"

1062

CHOOSE YOUR
DIAMETER,

CODE	DIAMETER
0062	.0625" (1/16)
0093	.0938" (3/32)
0125	.1250" (1/8)
0156	.1562" (5/32)
0187	.1875" (3/16)
0250	.2500" (1/4)
0312	.3125" (5/16)
0375	.3750" (3/8)
0437	.4375" (7/16)
0500	.5000" (1/2)
0562	.5625" (9/16)
0625	.6250" (5/8)
0687	.6875" (11/16)
0750	.7500" (3/4)
0812	.8125" (13/16)
0875	.8750" (7/8)
0937	.9375" (15/16)
1000	1.0000" (1)
1062	1.0625" (1-1/16)
1125	1.1250" (1-1/8)
1187	1.1875" (1-3/16)
1250	1.2500" (1-1/4)
1312	1.3125" (1-5/16)
1375	1.3750" (1-3/8)
1437	1.4375" (1-7/16)
1500	1.5000" (1-1/2)
1625	1.6250" (1-5/8)
1687	1.6875" (1-11/16)
1750	1.7500" (1-3/4)
1875	1.8750" (1-7/8)
1937	1.9375" (1-15/16)
2000	2.0000" (2)
2187	2.1875" (2-3/16)
2250	2.2500" (2-1/4)
2437	2.4375" (2-7/16)
2500	2.5000" (2-1/2)

(C)
LENGTH

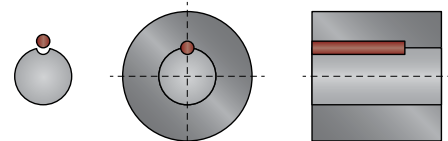
12" to 144"

-72

CHOOSE YOUR
LENGTH.

CODE	LENGTH
-12	12" (1')
-24	24" (2')
-36	36" (3')
-48	48" (4')
-72	72" (6')
-120	120" (10')
-144	144" (12')

Nonstandard lengths up to 144" are available. Lengths over 3' may be subject to a packaging charge.



Round keys – or pin keys – are cylindrical keys inserted into a cylindrical key way that has been drilled and reamed partly in the shaft and partly in the hub while the application is assembled. A tight interference fit is required between the key and the key way to ensure uniformity along the length of the key.

Compared with square, parallel, or hex keys this design results in lower stress concentration making it appropriate for low power applications such as fastening a collar and pulley to a shaft.

For more information on types of fits, see "Getting the Right Fit," page 9.